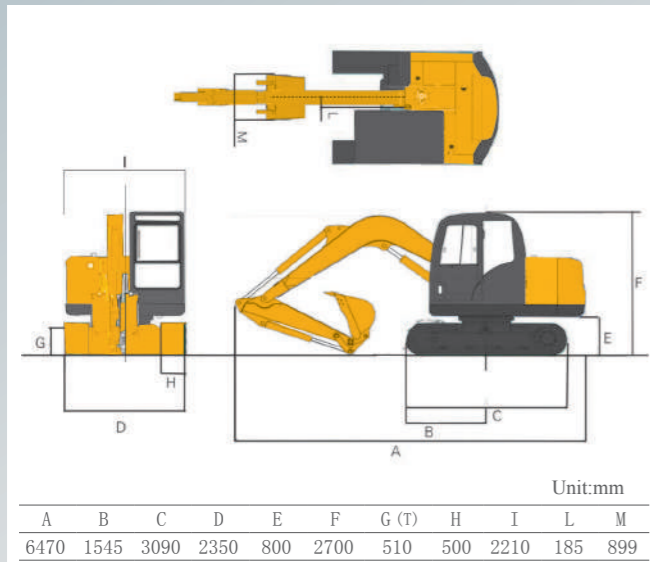


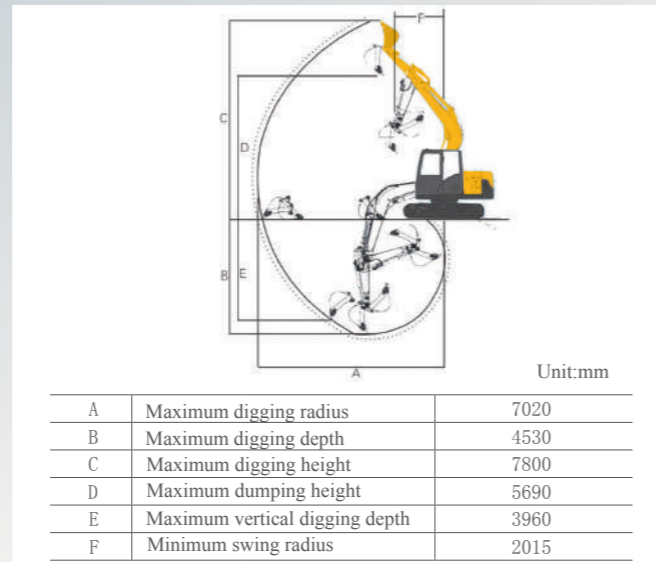
KATO

100NS

DIMENSIONS



WORKING RANGE



SPECIFICATION

Performance	Parameter
Model	100NS
Operating weight	9450kg
Bucket capacity	0.35~0.40m ³
Performance	
Maker	YANMAR
Model	4TNV98T-ZCSIK
Rated output	54.7kW/2200min ⁻¹
Working performance	
Swing speed	10.2rpm
Travel speed	2.7/4.8km/h

Performance	Parameter
Gradeability	30°
Max. digging force	63.4kN
Hydraulic system	
Pressure	27.4MPa
Flow	79.2L/min×2+14.7L/min
Oil tank capacity	
Fuel Tank Capacity	140L
Hydraulic oil tank capacity	90L

• This booklet is only for promotion, the pictures and contents may differ from the actual objects, and the actual objects shall prevail. The contents and specifications will be subject to change without prior notice.

KATO SCE KATOSCE (XIAMEN) CONSTRUCTION MACHINERY CO.,LTD

Address: No.39 Huanzhu Road, North Industrial Area, Jimei District, Xiamen

Website: www.katosce.com



ECONOMY



Environmental-friendly engine
The YANMAR engine features low fuel consumption, low noise and strong power.



Large capacity fuel tank

MAINTENANCE



Air pre-filter does not require the special maintenance.



High capacity radiator
The high capacity radiator provides superior cooling performance.



Wide openable engine cover
The fully openable engine cover provides great access to various components. Daily maintenance such as air filter cleaning, engine oil replacement become easier.



COMFORTABILITY

Comfortable operating space
Ergonomic wide comfortable operating space has been designed to fit operator.



Multi point ventilation air conditioner



DURABILITY

X-shaped under carriage

It has enhanced the strength against twist. Mud drainage performance has been increased and cleaning is now carried out with ease.



Traveling body

Sloop design center-frame and side-frame have been arranged in straight lines. Mud drainage performance is up.



Reinforced bucket

