



ZHEJIANG HANGCHA IMP. & EXP. CO., LTD.

Factory site: 666 Xiangfu Road,
Hangzhou, Zhejiang, China (311305)

Tel: +86-571-88926735 88926755
Fax: +86-571-88926789 88132890

sales@hcforklift.com
www.hcforklift.com



Follow us on
Facebook



Follow us on
YouTube



Follow us on
WeChat



Download "Hangcha
Forklift" App



ISO14001
ISO14001:2015



ISO9001
ISO9001:2015



HANGCHA trucks conform
to the European Safety
Requirements.

2021 VERSION | COPYRIGHT 2021/02

HANGCHA GROUP CO., LTD. reserves the right to make any changes without notice concerning colors, equipment, or specifications detailed in this brochure, or to discontinue individual models. The colors of trucks, delivered may differ slightly from those in brochures.



XF Series Diesel Counterbalanced Trucks

with capacities of 8,000 to 12,000kg

The World of Hangcha



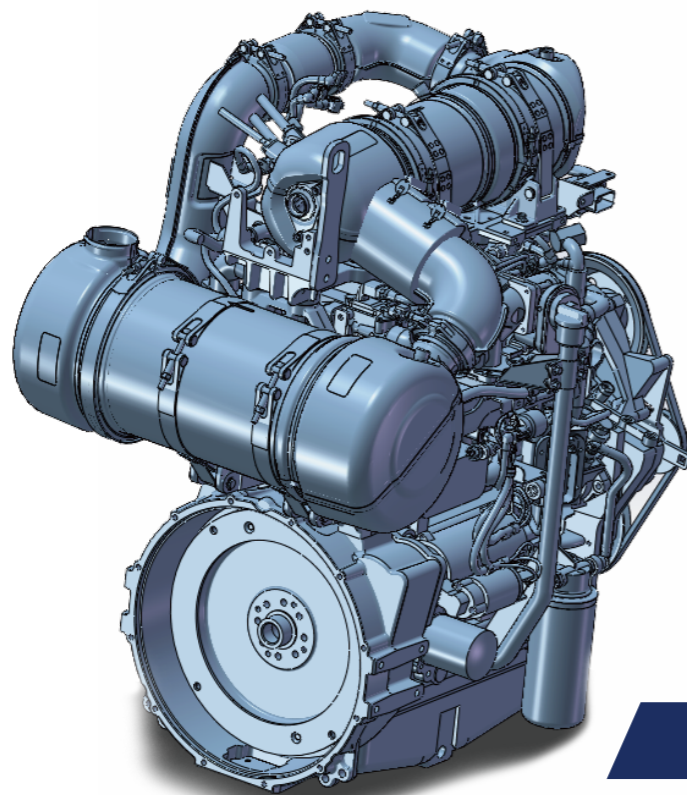
HANGCHA be with you at every stage

Efficient, reliable solutions for your demands

STAGE V

With Hangcha you can meet all Stage V emissions standards which provides customer demands for value, innovation and performance. The technologies include ,TCI+CR+EGR+DOC+DPF+SCR. Designed and optimised to every engine model, our forklift truck maximises efficiency and reliability.

Simple/
Solid/
Smart



DEUTZ



Interactive instrument: The instrument adopts LCD display with four interactive buttons, and has one CAN bus communication function. The communication protocol is compatible with CANopen and SAE J1939 standards.



HANGCHA Forklift with StageV

| No. | Capacity | Series | Manufacturer | Engine | Drive power | Model | Emission Std. | Transmission | Power (kw/rpm) | Service brake |
|-----|----------|--------|--------------|-----------|-------------|---------------|---------------|--------------|----------------|---------------|
| 1 | 8.0t | XF | DEUTZ | TCD3.6 L4 | Diesel | CPCD80-XW96G | Stage V | ZF | 85/2200 | Hydraulic |
| 2 | 10t | XF | DEUTZ | TCD3.6 L4 | Diesel | CPCD100-XW96G | Stage V | ZF | 85/2200 | Hydraulic |
| 3 | 12t | XF | DEUTZ | TCD3.6 L4 | Diesel | CPCD120-XXW96 | Stage V | TCM | 85/2200 | Hydraulic |

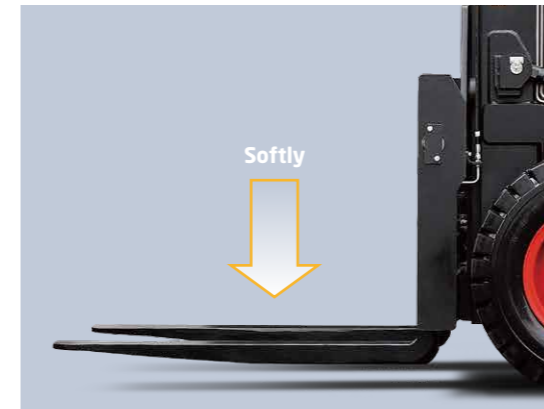
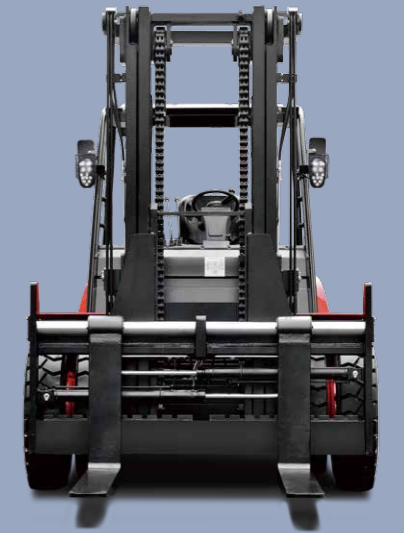
Note: Stage V applied for European Union also including Israel and Turkey



Comfortable Operation

In developing the new XF 8-12t series, comfort and easy operation is always considered, for example, improved vibrating levels, compound engine damper and full floating seat and cabin are applied.

Comfortable also contribute to increased productivity.



In addition to the soft landing system, the soft lifting system is adopted (front lifting cylinders of triplex mast and full free duplex mast), as a result, the noise and shock of the mast significantly decreases.



The extra foot space is provided to reduce operator fatigue significantly. The new wide-open, non-slip step makes getting in and out easy and safe.

The optional Electro-hydraulic proportional control system contributes more sensitive and precise load handling. The easy-to-operate levers provide total load handling operation. An armrest is provided to reduce fatigue.



The new design mast provides broad forward visibility due to outside located hydraulic pipes of fork positioner.

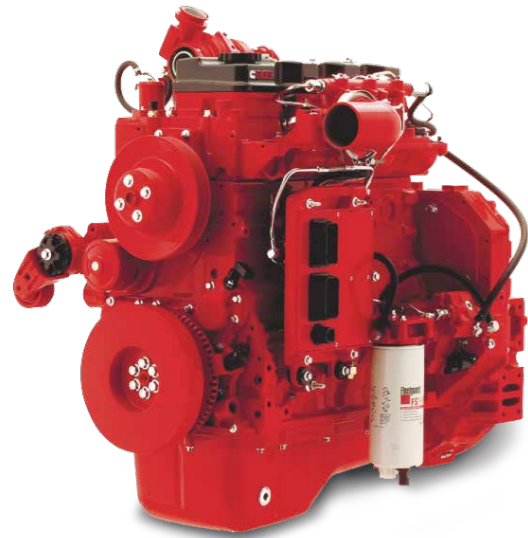


Environmental Friendliness

Environmentally friendly material, low exhaust emission, and low noise level, all these are considered at the beginning of the product development.

Special developed engine is applied for optimum balance of power and superior environmental performance. All diesel engines are in compliance with EU stage-III control regulation.

The environment friendly materials, such as non-asbestos brake shoe and new type sealing gasket, are adopted entirely to meet environmental safety.



The applied optimized exhaust muffler, intake muffler and the noise shield technologies are reduced 3dB at the driver's ear noise level.

Productivity

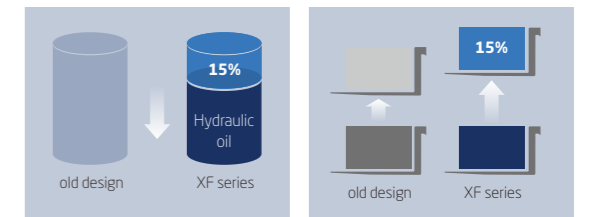
Thanks to the series technological innovations, the efficiency of the truck is improved, the energy consumption is reduced.



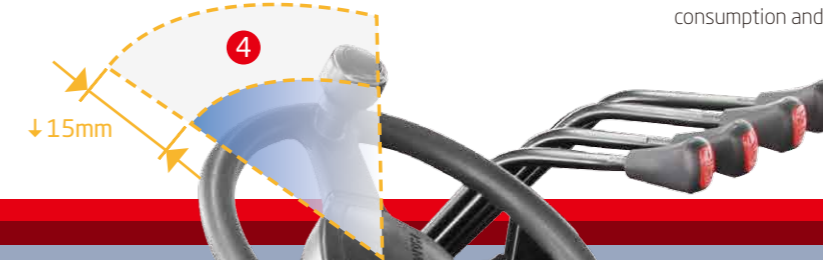
By optimizing transmission design, the power train provides higher efficiency, and the Max. driving speed is increased **20%**



The new efficiency LED lighting system and new type reflector reduce energy consumption, improve illumination performance and prolong working life.



The new patent dynamic load sensing hydraulic steering system contributes to reduce loss of hydraulic, improve energy consumption and increase 15% lifting speed.



Comfortable Operation

1. The new, relocated easy-to-see LCD meter lets the operator check on all aspects of operational status at a glance.
2. The new automobile-style light/turn-signal lever and forward-reverse lever are ergonomically designed and arranged to improve comfort and productivity.
3. Only 90N parking brake force is required.
4. The small diameter steering wheel with tilt adjustment provides the ideal operating position. The superior responsiveness of the steering wheel optimizes maneuverability even in narrow spaces.
5. The automobile-style suspended pedals provide more ergonomic operation.



Reliability

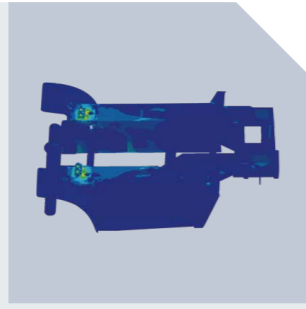
By focusing on enhancing reliability, reducing downtime, the XF series is able to make the greater productivity for customer.

The patent plated-fin type aluminum radiator is applied, the heat exchanging is approved, and improves the capability for operation in severe environments.



There're four levels shock absorption applied to reduced the vibration from the road to the driver. The damping pad is applied reduce the vibration, Like between the steering axle and the chassis, The engine, torque convertor and the chassis, the overhead guard and the chassis. And the suspension seat is another vibration reduction.

High strength chassis, mast and front/rear axle are to make sure the reliability of the truck, even for high strength application.



All the controllers, relays, and safety fuses are allocated in the controller box, free to water and dust. The main electronic components are waterproof, which is capable operator in severe environment.

Easy Maintenance



Careful design facilitates inspection and servicing. Easy maintenance reduces the amount of downtime and helps to reduce cost also.

The location of the air-filter is easy to reach, and it's very easy to replace the filter.

Brake drum is installed outside of wheel hub, easy to remove and install when we replace the brake shoes.

All the locations of the engine oil level dipstick, filter of hydraulic, water separator are easy to reach, and very easy for engineer to check.

There's gas spring support for the front cover of radiator, and it can auto-open when the rear cover of radiator is opened.



The new stamped air cleaner featuring tangential intake, double seal with safety filter is durable, corrosion-free and vibration-resistant, provides better filter efficiency and lower intake resistance than the previous.



Add return oil filter of gearbox and multi-valve, improving the cleanliness of transmission and hydraulic oil.



The battery is located above the fuel tank, there's battery box and adiabatic plate between them to prolong the battery's working life.

Safety

A wide range of technologies are applied to ensure absolute safety for both the operator and those in the surrounding. Independent braking and steering circuit without interference.



There's an energy accumulator applied in the braking system, which means when the engine is shut down, it can also provide more than 4 times emergency brake.



The locking device of the engine hood damper and parking brake help add to safety.



1. The seat sensor system incorporates lifting/tilting and traveling locking function. When the operator leaves the seat, the system automatically locks lifting/tilting and disables traveling to ensure safety.
2. A throttling device is adopted to avoid the mast being out of control even some pipes are broken.

Standards

| Transmission | Steering | Chassiss | Control | Hydraulic |
|--|---|---|--|--|
| / Suspension transmission / Oil filter / Dipstick / Oil cooler / Non-asbesttos bake / Drum brake / Wet brake (W75) | / Full hydraulic power steering / Smaller diameter steering wheel / Adjuster of steering wheel / Shock absorber of steering axle | / Skidproof pedal / Rubber pedal / Engine hood spring | / Power steering / Suspension pedal / Integrated combination switch / Parking brake | / Dynamic load sending control valve / Hydraulic oil filter / Tilt cylinder self-lock valve / Hydraulic oil dipstick / Accumulator / Hydraulic oil radiator |

| Truck | Power | Electronics | Mast |
|---|---|---|--|
| / Traction device / Hand grip / Standard seat / Floating overhead guard / Waterproof cover on the guard / Back view mirror / Pneumatic tyres / Toolbox | / Big capacity aluminum radiator / Whirlwind air cleaner / Safety filter / High-efficient intake muffler / High-efficient exhaust muffler | / High-efficient front lights / High-efficient LED rear lights / Service-free start battery / Combination controller / LCD display / Neutual switch / Hour meter / Fuel gauge / Water temperature gauge | / Pre-heat indicator / Charging indicator / Engine fuel pressure warning / Oil temperature / Horn / Reversing buzzer / Air-filter with jam sensor / Emergency power off |

Options

| Truck | Transmission | Power | Hydraulic | Electronics | Mast |
|--|--------------|--|---|--|--|
| / Floating cabin / Cabin heater / Front window / Super elastic tyre / Non-mark tyre(white/green) / Suspension seat / Extinguisher / Special given color / Boot for tilt cylinder / Counter weight net / Seat sensor system | / Wet brake | / Upright exhaust system / Air pre-cleaner / Net cover of radiator / Spark arrester / Purified exhaust system / Fan protector | / Auxiliary hydraulic valve / Eleccro-hydraulic / Proportional control system | / OBD / Front working light / Rear working light / Warning lamp | / Duplex wide view free-lift mast / Triplex wide view free-lift mast / Special forks / Wider fork carriage / Widerload back rest |

Optional Attachments

- / Paper roll clamp
- / Rotating bale clamp
- / Load stabilizer
- / Multi-drum clamp
- / Bale clamp
- / Drum clamp
- / Dumping clamp
- / Crane arm
- / String Pole
- / Sideshifter
- / Rotating forks
- / Fork extensioner
- / Load release device
- / Carton clamp
- / Push-pull device
- / Bucket
- / Hook
- / Lengthened fork



8.0~10t XF series mast: (pneumatic)

| Type | Model | Max.fork height | Overall height | | Free lift Without backrest | Load distance, centre of drive axle to fork | Titl range | Load capacity | |
|-----------------------|------------------------|-----------------|----------------|---------------------------|----------------------------|---|------------|------------------------------------|-------|
| | | | Lowered | Extended without backrest | | | | Load capacity at 600mm Double tire | |
| | | | | | | | | FWD/BWD | 8t |
| Wide view Duplex mast | X80M250 | 2500 | 2450 | 3710 | 200 | 714 | 6/12 | 8000 | / |
| | X80M270 | 2700 | 2550 | 3910 | 200 | 714 | 6/12 | 8000 | / |
| | X80M300 | 3000 | 2700 | 4210 | 200 | 714 | 6/12 | 8000 | / |
| | X80M330 | 3300 | 2850 | 4510 | 200 | 714 | 6/12 | 8000 | / |
| | X80M350 | 3500 | 2950 | 4710 | 200 | 714 | 6/12 | 8000 | / |
| | X80M360 | 3600 | 3000 | 4810 | 200 | 714 | 6/12 | 8000 | / |
| | X80M400 | 4000 | 3200 | 5210 | 200 | 714 | 6/12 | 8000 | / |
| | X80M430 | 4300 | 3400 | 5510 | 200 | 714 | 6/6 | 8000 | / |
| | X80M450 | 4500 | 3500 | 5710 | 200 | 714 | 6/6 | 8000 | / |
| | X80M480 | 4800 | 3650 | 6010 | 200 | 714 | 6/6 | 8000 | / |
| | X80M500 | 5000 | 3750 | 6210 | 200 | 714 | 6/6 | 8000 | / |
| | X80M550 | 5500 | 4050 | 6740 | 200 | 714 | 3/6 | 7400 | / |
| | X80M600 | 6000 | 4300 | 7240 | 200 | 714 | 3/6 | 7000 | / |
| | X80M650 | 6500 | 4600 | 7790 | 200 | 714 | 3/6 | 5800 | / |
| | X100M250 | 2500 | 2600 | 4055 | 200 | 726 | 6/12 | / | 10000 |
| | X100M270 | 2700 | 2700 | 4255 | 200 | 726 | 6/12 | / | 10000 |
| | X100M300 | 3000 | 2850 | 4555 | 200 | 726 | 6/12 | / | 10000 |
| | X100M330 | 3300 | 3000 | 4855 | 200 | 726 | 6/12 | / | 10000 |
| | X100M350 | 3500 | 3100 | 5055 | 200 | 726 | 6/12 | / | 10000 |
| | X100M360 | 3600 | 3150 | 5155 | 200 | 726 | 6/12 | / | 10000 |
| X100M400 | 4000 | 3350 | 5555 | 200 | 726 | 6/12 | / | 10000 | |
| X100M430 | 4300 | 3550 | 5855 | 200 | 726 | 6/6 | / | 10000 | |
| X100M450 | 4500 | 3650 | 6055 | 200 | 726 | 6/6 | / | 10000 | |
| X100M480 | 4800 | 3800 | 6355 | 200 | 726 | 6/6 | / | 10000 | |
| X100M500 | 5000 | 3900 | 6555 | 200 | 726 | 6/6 | / | 10000 | |
| X100M550 | 5500 | 4200 | 7055 | 200 | 726 | 3/6 | / | 9000 | |
| X100M600 | 6000 | 4450 | 7555 | 200 | 726 | 3/6 | / | 8000 | |
| X100M650 | 6500 | 4750 | 8055 | 200 | 726 | 3/6 | / | 6700 | |
| Full free duplex mast | X80U230 | 2300 | 2350 | 3505 | 1145 | 719 | 6/12 | 8000 | / |
| | X80U250 | 2500 | 2450 | 3705 | 1245 | 719 | 6/12 | 8000 | / |
| | X80U270 | 2700 | 2550 | 3905 | 1345 | 719 | 6/12 | 8000 | / |
| | X80U300 | 3000 | 2700 | 4205 | 1495 | 719 | 6/12 | 8000 | / |
| | X80U330 | 3300 | 2850 | 4505 | 1645 | 719 | 6/12 | 8000 | / |
| | X80U360 | 3600 | 3000 | 4805 | 1795 | 719 | 6/12 | 8000 | / |
| | X80U400 | 4000 | 3200 | 5205 | 1995 | 719 | 6/12 | 8000 | / |
| | X100U230 | 2300 | 2500 | 3845 | 955 | 744 | 6/12 | / | 10000 |
| | X100U250 | 2500 | 2600 | 4045 | 1055 | 744 | 6/12 | / | 10000 |
| | X100U270 | 2700 | 2700 | 4245 | 1155 | 744 | 6/12 | / | 10000 |
| | X100U300 | 3000 | 2850 | 4545 | 1305 | 744 | 6/12 | / | 10000 |
| | X100U330 | 3300 | 3000 | 4845 | 1455 | 744 | 6/12 | / | 10000 |
| | X100U360 | 3600 | 3150 | 5145 | 1605 | 744 | 6/12 | / | 10000 |
| | X100U400 | 4000 | 3350 | 5545 | 1805 | 744 | 6/12 | / | 10000 |
| | Full free triplex mast | X80N450 | 4500 | 2750 | 5775 | 1485 | 759 | 6/6 | 7000 |
| X80N480 | | 4800 | 2850 | 6075 | 1585 | 759 | 6/6 | 7000 | / |
| X80N500 | | 5000 | 2950 | 6360 | 1600 | 759 | 6/6 | 6500 | / |
| X80N550 | | 5500 | 3100 | 6810 | 1800 | 759 | 3/6 | 6100 | / |
| X80N600 | | 6000 | 3250 | 7275 | 1985 | 759 | 3/6 | 5600 | / |
| X80N650 | | 6500 | 3530 | 7840 | 2200 | 759 | 3/6 | 5000 | / |
| X80N700 | | 7000 | 3700 | 8310 | 2400 | 759 | 3/6 | 4200 | / |
| X100N450 | | 4500 | 2850 | 6055 | 1305 | 794 | 6/6 | / | 8500 |
| X100N480 | | 4800 | 2950 | 6355 | 1405 | 794 | 6/6 | / | 8500 |
| X100N500 | | 5000 | 3050 | 6555 | 1505 | 794 | 6/6 | / | 8200 |
| X100N550 | | 5500 | 3200 | 7055 | 1655 | 794 | 3/6 | / | 7700 |
| X100N600 | | 6000 | 3350 | 7555 | 1805 | 794 | 3/6 | / | 7000 |
| X100N650 | | 6500 | 3630 | 8055 | 2085 | 794 | 3/6 | / | 6200 |
| X100N700 | | 7000 | 3800 | 8555 | 2255 | 794 | 3/6 | / | 5200 |

With sideshifter minus 500Kg,with integral sideshifter minus 400kg.

12t XF series mast: (pneumatic)

| Type | Model | Max.fork height | Overall height | | Free lift Without backrest | Front overhang | Titl range | Capacity | |
|----------------|-----------|-----------------|----------------|---------------------------|----------------------------|----------------|------------|---------------------------------|-------|
| | | | Lowered | Extended without backrest | | | | Load capacity 600mm Double tire | |
| | | | | | | | | FWD/BWD | 12t |
| Wide view mast | XX120M270 | 2700 | 2850 | 4405 | 200 | 739 | 6/12 | 12000 | 12000 |
| | XX120M300 | 3000 | 3000 | 4705 | 200 | 739 | 6/12 | 12000 | 12000 |
| | XX120M330 | 3300 | 3150 | 5005 | 200 | 739 | 6/12 | 12000 | 12000 |
| | XX120M360 | 3600 | 3300 | 5305 | 200 | 739 | 6/12 | 12000 | 12000 |
| | XX120M400 | 4000 | 3550 | 5705 | 200 | 739 | 6/12 | 12000 | 12000 |
| | XX120M430 | 4300 | 3700 | 6005 | 200 | 739 | 6/6 | 12000 | 12000 |
| | XX120M450 | 4500 | 3800 | 6205 | 200 | 739 | 6/6 | 12000 | 12000 |
| | XX120M480 | 4800 | 3950 | 6505 | 200 | 739 | 6/6 | 12000 | 12000 |
| | XX120M500 | 5000 | 4050 | 6705 | 200 | 739 | 6/6 | 12000 | 12000 |
| | XX120M550 | 5500 | 4350 | 7205 | 200 | 739 | 3/6 | 10500 | 10500 |
| | XX120M600 | 6000 | 4600 | 7705 | 200 | 739 | 3/6 | 9000 | 9000 |
| | XX120M650 | 6500 | 4900 | 8205 | 200 | 739 | 3/6 | 7500 | 7500 |

